

SPARES



MU Contactor



MU1 / MU2 Relay



MU Contact Bridge



Spare Kit



MU Coil



Timer ST100

Component	Type	Cat. No.	Std. Pkg. (Nos.)
MU1 Contactor	MU1 110 V	CS94007A000	10
	MU1 240 V	CS94007B000	10
	MU1 360 V	CS94007C000	10
	MU1 415 V	CS94007D000	10
MU2 Contactor	MU2 110 V	CS94008A000	10
	MU2 240 V	CS94008B000	10
	MU2 360 V	CS94008C000	10
	MU2 415 V	CS94008D000	10

MU1 Relay	4-6.5A	SS9655700TO	1
	6-10A	SS9655700VO	1
MU2 Relay	9-14A	SS9597900AO	1
	13-21A	SS9597900CO	1
	20-32A	SS9597900EO	1
	28-42A	SS9597900FO	1

MU Contactor Spares

Type	Cat. No.	Std. Pkg. (Nos.)
MU contact bridge	CS949940000	10
MU1 single contact	CS949950000	1
MU2 single contact	CS949960000	1
MU-Add ON Block - 1NO + 1NC (LHS)	SS940720000	10
MU-Add ON Block - 1NC (LHS)	SS940740000	10

Spares For MU / MB

Component	Type	Cat. No.	Std. Pkg. (Nos.)
Spare Kit	MU1	CS940100000	1
	MU2	CS940110000	1
MU Coils	110 V	CS94009A000	10
	240 V	CS94009B000	10
	360 V	CS94009C000	10
	415 V	CS94009D000	10

Component	Type	Cat. No.	Std. Pkg. (Nos.)
Spare Relay Extension Knob (Pack of 20 Nos.)	MU1	CS943360000	1
	MU2	CS943370000	1
Spare Housing	MU1	CS949980000	10
	MU2	CS949990000	10

Description	Cat. No.	Std. Pkg. (Nos.)
Electronic Star-Delta Timer Type ST100 160-500 V for 3-30 sec.	ST803280000	1



MU Starters

MU FASD / SASD



Features of MU Starters

- Suitable to work efficiently even at 180 V to 415 V
- "Relay tripping mechanism" protects water pump from overload
- Bigger terminals for ease of termination
- Reliable operation & performance under adverse field condition viz. Hot & humid environment, supply voltage-unbalance etc.
- Enclosures providing protection against dust, humidity & insects

Technical Details for MU FASD / SASD Starters

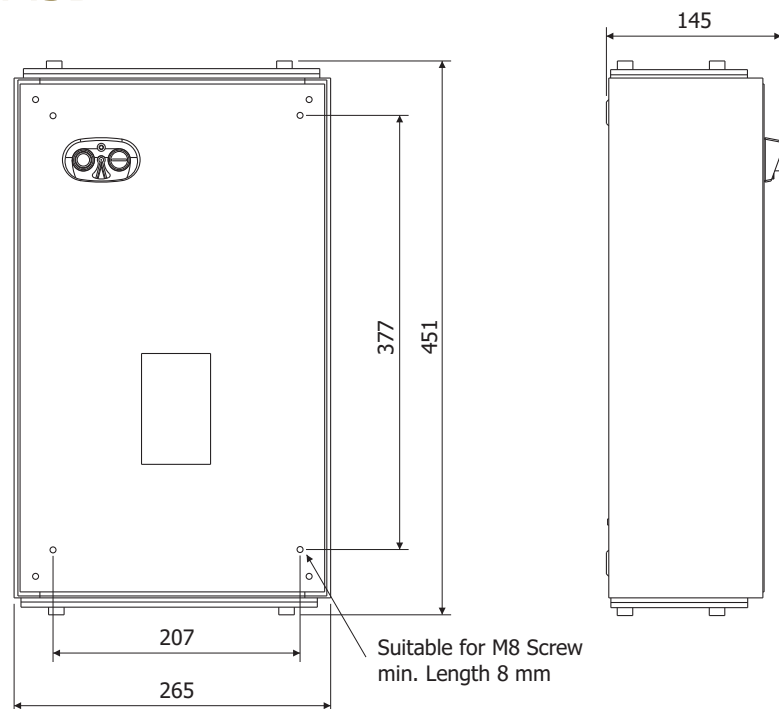
Rating	upto 30 HP, 415 V, 3Ø
Contactors	MU1 / MU2
Overload Relay	MU2
Coil Voltage	415 V, 360 V
Pick-up Voltage	50% to +110% Uc
Drop-off Voltage	25% to 35% Uc
Rated Insulation Voltage	690 V
Rated Operational Voltage	415 V AC
Service Temperature	-5°C to 55°C
Conformity to Standard	IS/IEC 60947-4-1
Terminal Capacity	10 sq. mm with Lug
Degree of Protection	IP54
No. of full Start	30 per Hour
Back-up Operation	Type 2 with HF fuses

Ordering Details for MU FASD / SASD Starters

Starter Type	Suitable for Pump/Motor 3Ø, 415 V, 50 Hz	Relay Range (A)	Cat. No.		Std. Pkg. (Nos.)
			Coil Voltage 360 V	Coil Voltage 415 V	
MU1 FASD (with MU relay)	12.5 HP	9 - 14	SS95890COAO	SS95890DOAO	1
	15 HP	13 - 21	SS95890COCO	SS95890DOCO	1
MU2 FASD (with MU relay)	20 HP	13 - 21	SS95892COCO	SS95892DOCO	1
	30 HP	20 - 32	SS95892COEO	SS95892DOEO	1
MU1 SASD (with MU relay)	12.5 HP	9 - 14	SS95891COAO	SS95891DOAO	1
	15 HP	13 - 21	SS95891COCO	SS95891DOCO	1
MU2 SASD (with MU relay)	20 HP	13 - 21	SS95893COCO	SS95893DOCO	1
	30 HP	20 - 32	SS95893COEO	SS95893DOEO	1

MU FASD / SASD

Overall Dimensions



Note: All Dimensions are in mm

MU DOL



Applications of MU starters

- DOL Starters-Available upto 15 HP
- Star-delta starters - Available upto 30 HP
- Types : Fully-Automatic / Semi-Automatic

Ordering Details for MU DOL Starters

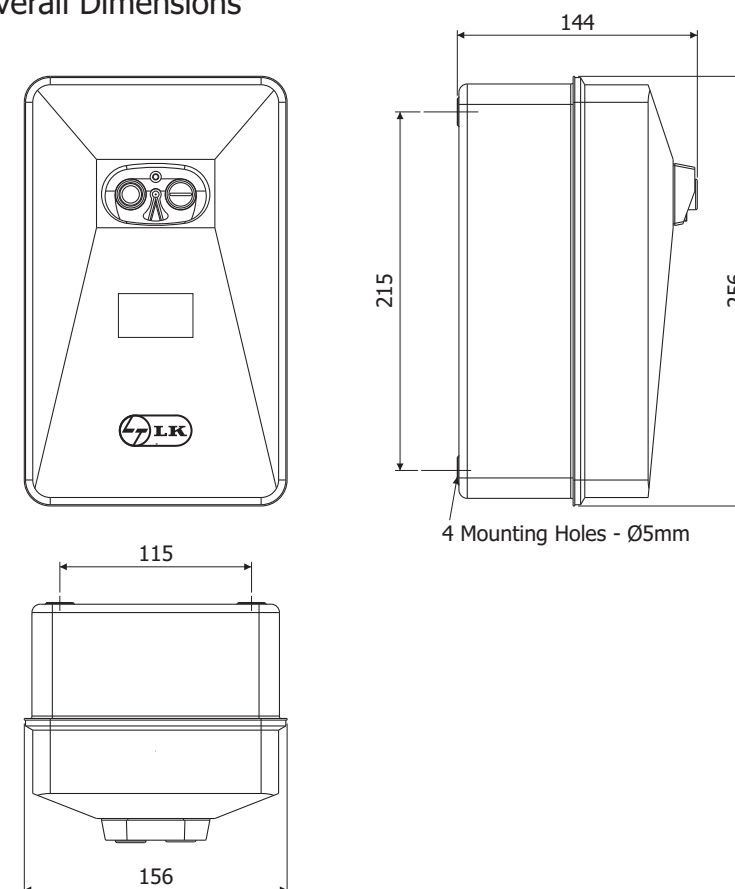
Starter Type	Suitable for Pump/Motor 3Ø, 415V, 50 Hz	Relay Range (A)	Cat. No.		Std. Pkg. (Nos.)
			Coil Voltage 360 V	Coil Voltage 415 V	
MU1 DOL (with MU relay)	7.5 HP	9 - 14	SS95647COAO	SS95647DOAO	10
	10 HP	13 - 21	SS95647COCO	SS95647DOCO	10
MU2 DOL (with MU relay)	12.5 HP	13 - 21	SS95648COCO	SS95648DOCO	10
	15 HP	20 - 32	SS95648COEO	SS95648DOEO	10

Technical Details for MU DOL Starters

Rating	upto 15 HP, 415 V, 3Ø
Contactors	MU1 / MU2
Overload Relay	MU2
Coil Voltage	415 V, 360 V
Pick-up Voltage	50% to 110% Uc
Drop-off Voltage	25% to 35% Uc
Rated Insulation Voltage	690 V
Rated Operational Voltage	415 V AC
Service Temperature	-5°C to 55°C
Conformity to Standard	IS/IEC 60947-4-1
Terminal Capacity	10 sq. mm with Lug
Degree of Protection	IP54
No. of full Start	30 per Hour
Back-up Operation	Type 2 with HF fuses

MU DOL Starter

Overall Dimensions



Note: All Dimensions are in mm